

# Technical data sheet

## Product features



### Pasta cooker electric

<b>Model</b>	<b>SAP Code</b>	00008945
--------------	-----------------	----------



- Basin volume [l]: 23
- Water inlet: mechanical tap
- Drain type: Trough the cabinet
- Safety drain: Yes
- Material: AISI 304 top plate and cladding
- Protection of controls: IP24
- Maximum device temperature [°C]: 110
- Number of baskets: 1

<b>SAP Code</b>	00008945	<b>Power electric [kW]</b>	7.500
<b>Net Width [mm]</b>	400	<b>Loading</b>	400 V / 3N - 50 Hz
<b>Net Depth [mm]</b>	730	<b>Basin volume [l]</b>	23
<b>Net Height [mm]</b>	900	<b>Number of baskets</b>	1
<b>Net Weight [kg]</b>	51.20		

# Technical data sheet

Technical drawing

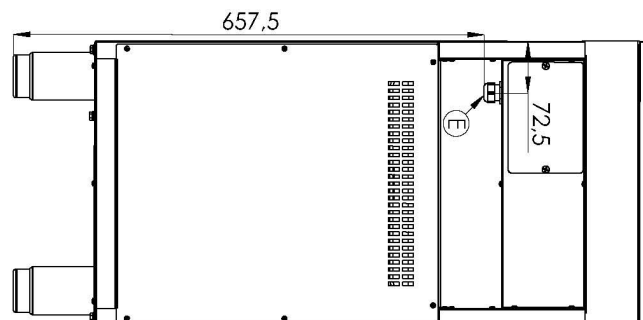
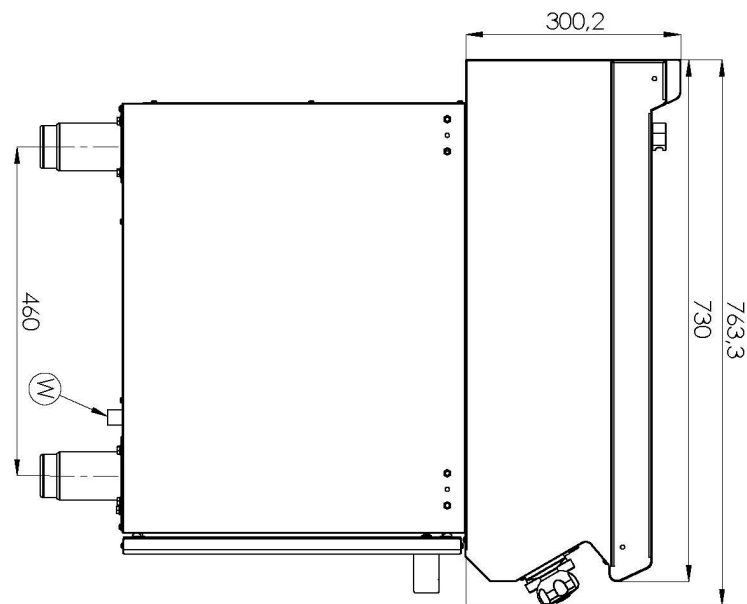
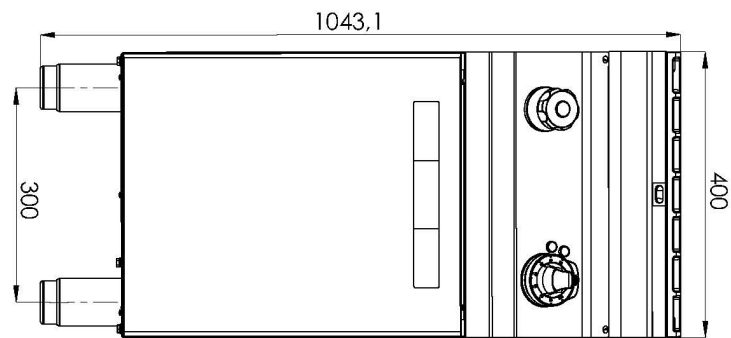


Pasta cooker electric

Model

SAP Code

00008945



# Technical data sheet

Technical parameters



## Pasta cooker electric

**Model**

**SAP Code**

00008945

**1. SAP Code:**

00008945

**2. Net Width [mm]:**

400

**3. Net Depth [mm]:**

730

**4. Net Height [mm]:**

900

**5. Net Weight [kg]:**

51.20

**6. Gross Width [mm]:**

440

**7. Gross depth [mm]:**

800

**8. Gross Height [mm]:**

1080

**9. Gross Weight [kg]:**

57.50

**10. Device type:**

Electric unit

**11. Construction type of device:**

Stationary

**12. Power electric [kW]:**

7.500

**13. Loading:**

400 V / 3N - 50 Hz

**14. Protection of controls:**

IP24

**15. Exterior color of the device:**

Stainless steel

**16. Material:**

AISI 304 top plate and cladding

**17. Worktop type:**

Molded - comfortable cleaning maintenance

**18. Worktop material:**

AISI 304

**19. Worktop Thickness [mm]:**

1.50

**20. Surface finish:**

polished stainless steel

**21. Device heating type:**

Direct

**22. Basin volume [l]:**

23

**23. Basin dimensions [mm x mm x mm]:**

340 x 306 x 329

**24. Volume capacity of the container [l]:**

23.00

**25. Maximum device temperature [°C]:**

110

**26. Minimum device temperature [°C]:**

30

**27. Service accessibility:**

Trough the frontal panel

**28. Safety thermostat:**

Yes

# Technical data sheet

Technical parameters



## Pasta cooker electric

Model

SAP Code

00008945

### 29. Adjustable feet:

Yes

### 30. Additional information:

Baskets are not part of the delivery - can be purchased additionally

### 31. Heating element material:

Incoloy

### 32. Number of baskets:

1

### 33. False bottom:

Yes

### 34. Number of basins:

1

### 35. Basin material:

AISI 316 - Stainless steel highly resistant to salt water

### 36. Water inlet:

mechanical tap

### 37. Drain type:

Trough the cabinet

### 38. Safety drain:

Yes

### 39. Drain connection:

Yes

### 40. Heating location:

Inside the tank

### 41. Cross-section of conductors CU [mm<sup>2</sup>]:

1,5

- Výkon (kW): 5-5,7 (230 V); 8,7-9,8 (400 V)